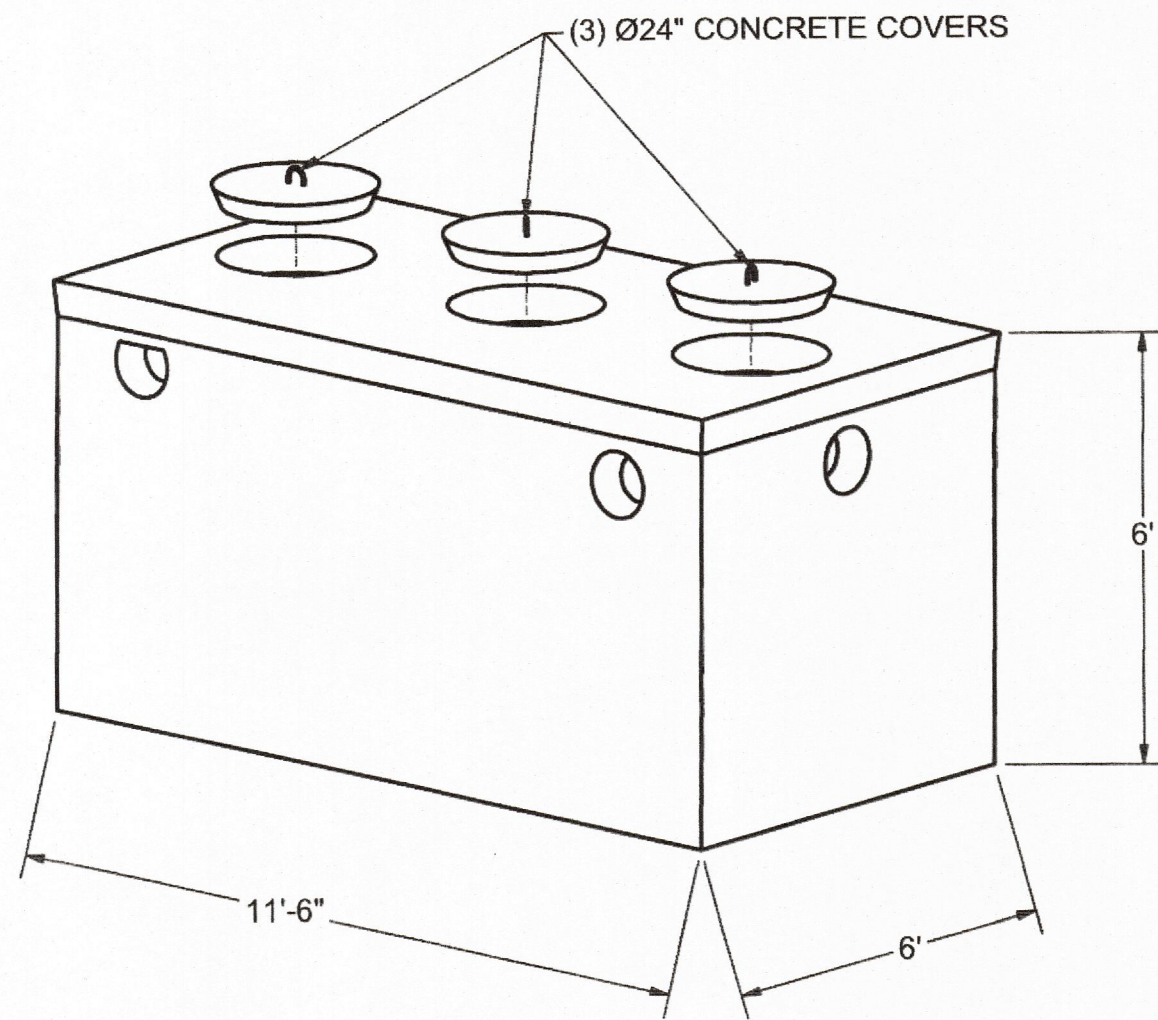


NOTES:
1.) SEAM SEALED WITH FLEXIBLE BUTYL RUBBER SEALANT.



SEPTIC TANK , MONO

H2O

1,500 Gallon

ITEM# ST152M	Wt. 23,000 Lbs	8 -2.2	Sht 1 of 2
---------------------	----------------	--------	------------

BUOYANCY CALC'S:

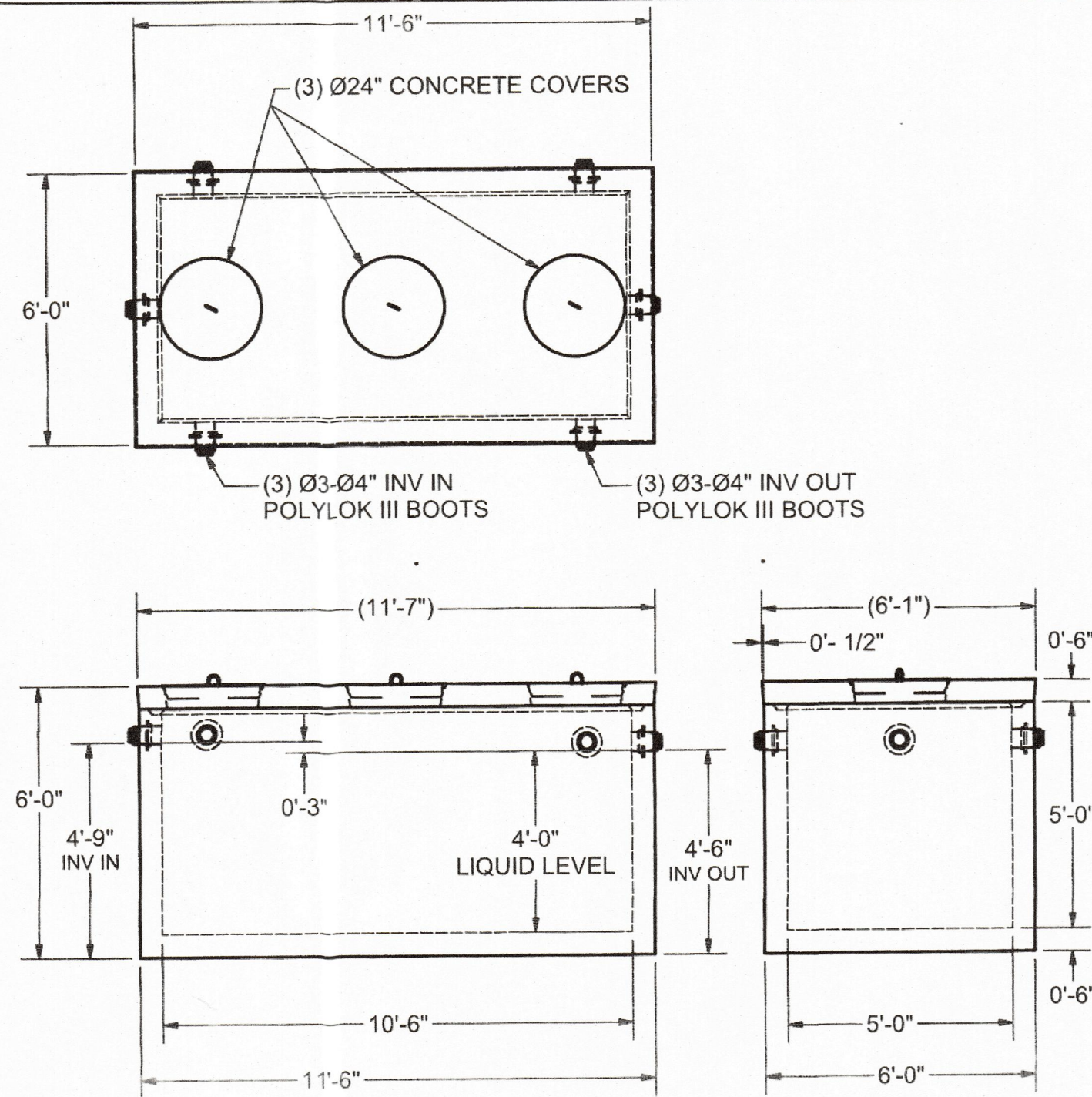
water displaced by pump chamber = 11.5' x 6' x 6' = 414 cu. ft.
 414 cu. ft. x 62.4 lbs/cu. Ft. = 25,834 lbs. - 23,000 lbs. = 2,834 lbs needed
 add 2 - 1,420 lbs.(0.5 cu. yd.) concrete poured in place over side walls of chamber
 Water displaced by tight tank = 13' x 6.2' x 7' = 564 cu. ft.
 564 cu. ft. x 62.4 lbs/cu. ft. = 35,193 lbs. - 31,250 lbs. = 3,943 lbs. needed
 add 2 - 1,975 lbs.(0.7 cu. yd.) concrete poured in place over sides walls of tight tank

Perk 26 Massasoit, Bourne @ 2:30 / 1 hr. after Hi tide

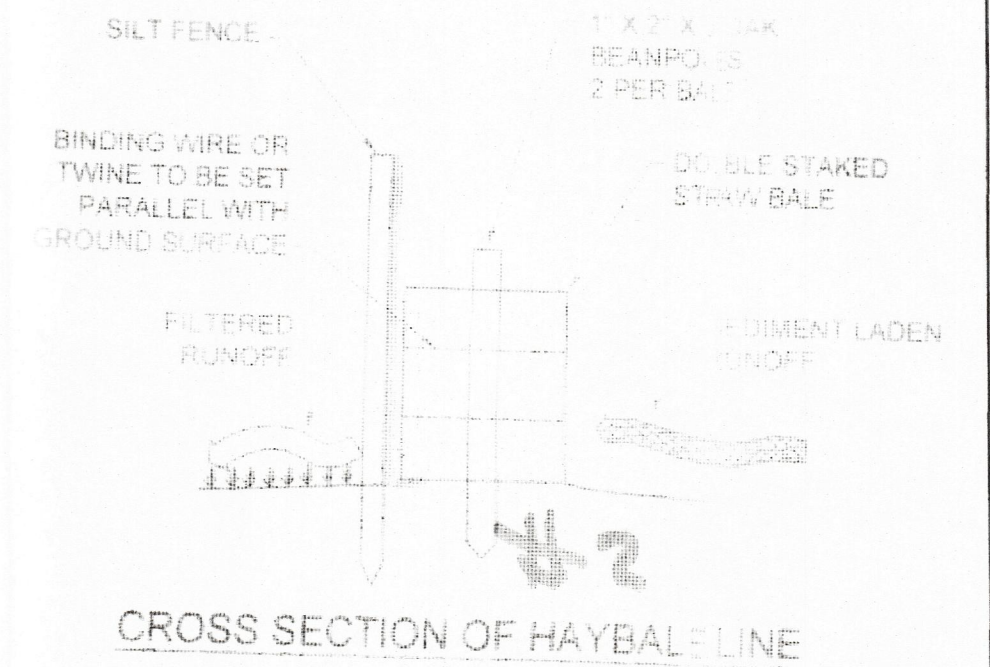
Created by: Earl Lantery

Time
2:30pm - 5pm (Eastern Time - New York)

Date
Thu Aug 22, 2019



design:



CROSS SECTION OF HAYBALE LINE
NOT TO SCALE

number of bedrooms (existing) - 2
 design flow 110 gal/day/bedroom
 Total design flow 220 gal / day
 design flow X 500% = 1,100gals. Per 310 CMR 105.260 min. Storage volume in tight tanks 1,100 gal.
 Total storage volume provided 2,000gals + 468 gals = 2,468 gals
 Storage per foot of tank depth = 1,500 gals / 48"(4.0) = 375 gal./ft

min. storage required above alarm: 2 x flow (220) 440gal. (Min.)
 height of storage above alarm 440/ 375 gal./ft = 1.2ft. Min.
 height of alarm above bottom of tank: 4.0' - 1.2' = 2.8'max above bottom
 alarm to be set 15" above bottom
 emergency storage required : 440 gals.
 Emergency provided: storage: 468 gals.

Particle Size Analysis - Basic

Prepared For:
H Earl Lantery
H Earl Lantery PE
18 Rt 6A
Sandwich, MA 02563

earlantery@gmail.com
774-313-9547

Sample Information:

Sample ID: 26 Massasoit

Order Number: 46985
Lab Number: X190917-117
Received: 9/17/2019
Reported: 9/27/2019

USDA Size Fraction		
Main Fractions	Size (mm)	Percent
Sand	0.05-2.0	76.0
Silt	0.002-0.05	15.9
Clay	<0.002	8.1

USDA Textural Class: sandy loam

MA Title V Textural Class II

RECEIVED

SEP -7 2022

Bourne Health Department
24 Perry Avenue
Bourne, MA 02532



REV. 1 9/2/22
REV. 0 12AUG22 SHT. 2 OF 2

PROPOSED TIGHT TANK DESIGN 26 MASSASOIT AVENUE BOURNE (POCASSET) MA			
PREPARED FOR : KAREN WEST			
DESIGN BY: LANTERY ASSOCIATES P.O. BOX 99 EAST SANDWICH, MA 02537 774.313.9547	SURVEY BY: Richard J. Hood, PLS. 12 Settlers Path Sandwich, MA 02563 508.833.7100	SCALE: 1" = 20'	JOB No. 20108
CHECKED HEL	CHECKED rjh (survey)		